



H-22 Serie

Abwasser- und Schmutzwasserpumpen



Schmutzwasser

Abwasser

H-Serie

H-22U



Pumpen Lechner

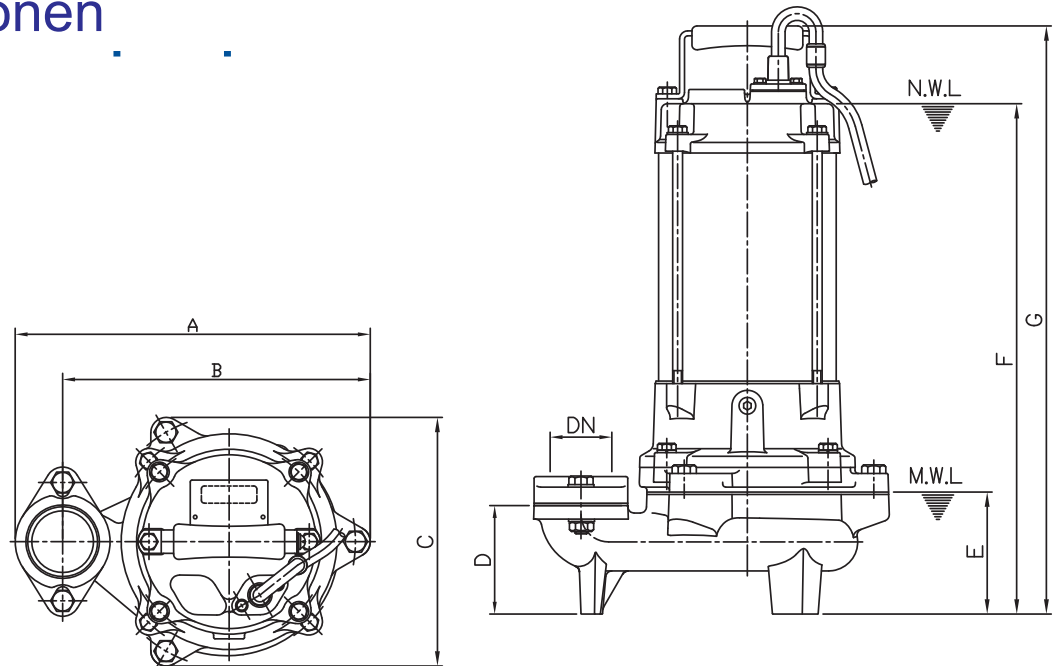
Schmutzwasser

Abwasser

H-Serie

H-22U

Dimensionen

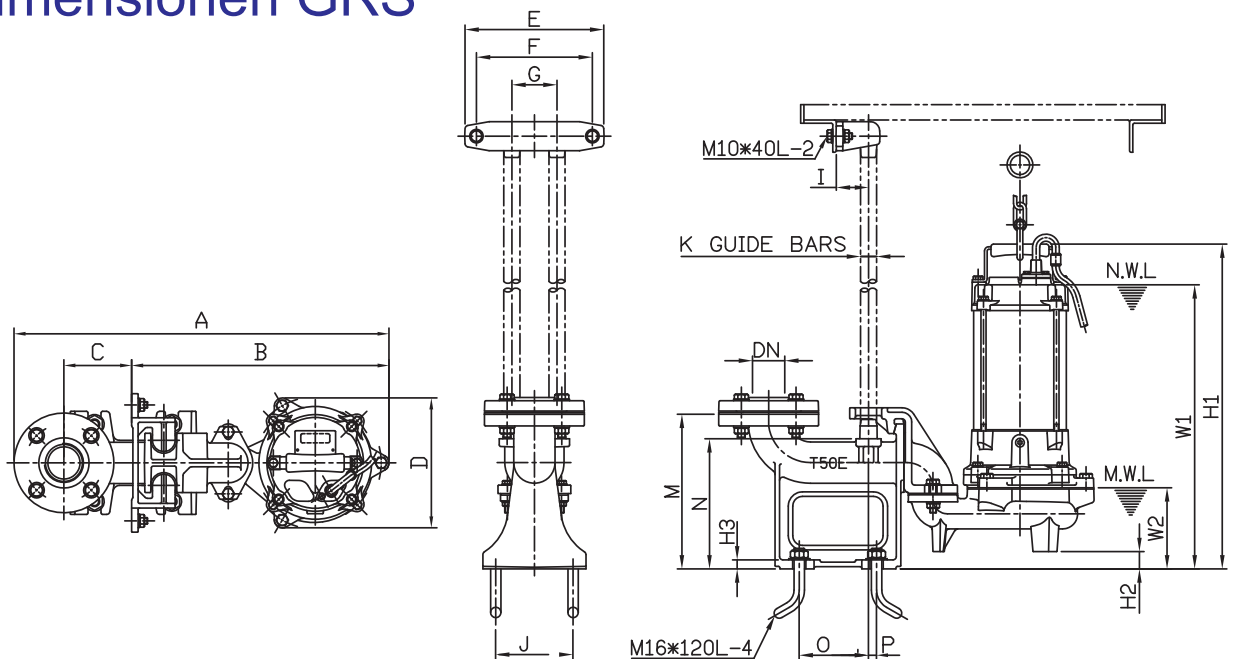


N.W.L. : Normal water level.

M.W.L. : Minimum water level.

Model	DN	A	B	C	D	E	F	G
H-22U	80	288	250	202	88	100	415(483)	477(546)

Dimensionen GRS



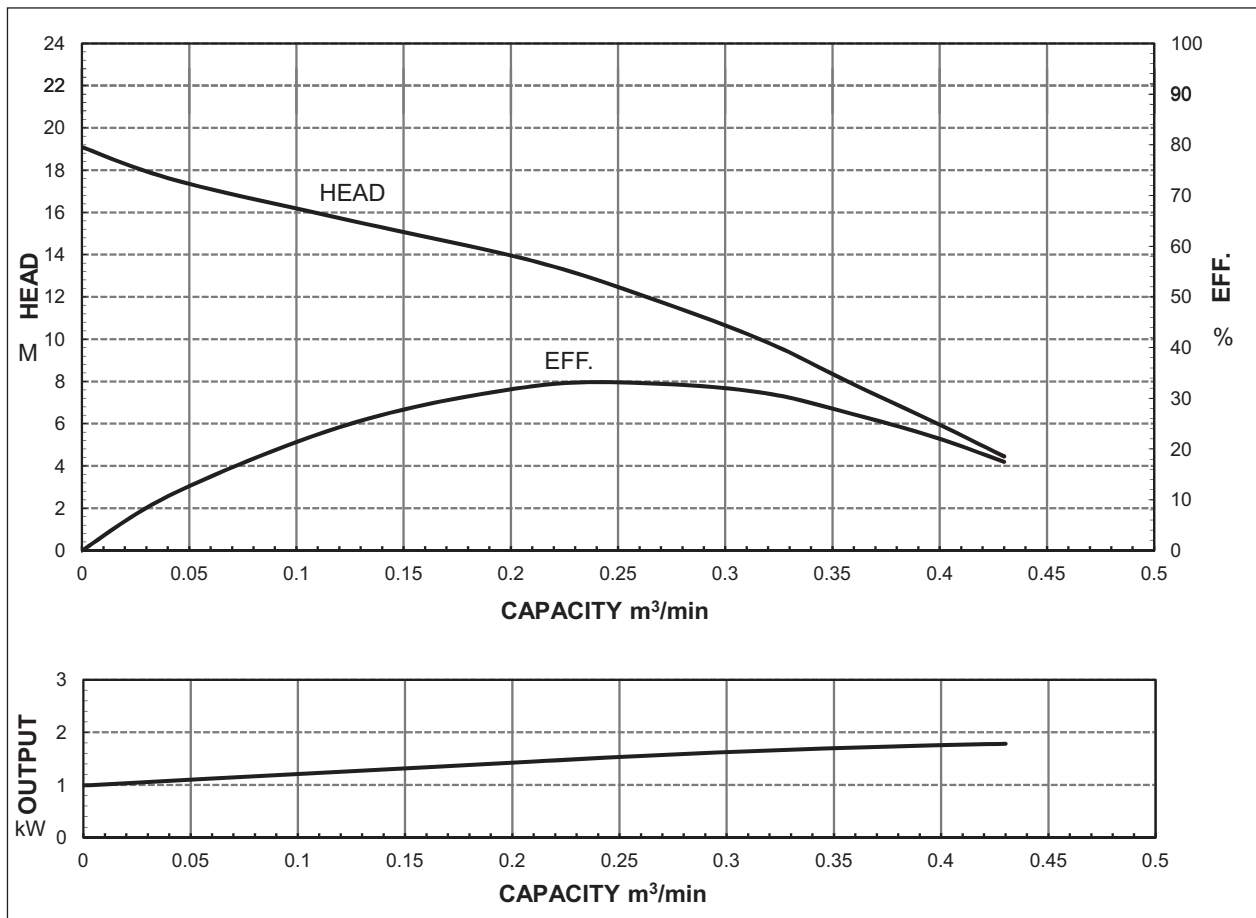
Model	DN	A	B	C	D	E	F	G	I	J	K	M	N	O	P	W1	W2	H1	H2	H3
H-22U	80	583	400	105	202	215	180	70	50	120	1	240	202	107.5	12.5	441(510)	126	504(573)	27	14



Spezifikationen

H-22U							
	Standard Specification				Referenced Specification		
Frequency / Speed	50 Hz / 2820 RPM						
Discharge	2" / 50 mm						
Head	14 m						
Capacity	0.2 m ³ /min						
Output	2 HP/ 1.5 kW				HP /	kW	
Phase / Voltage	3Ø	230V	380V	400V	415V	Ø /	V
Rated Current		6.2 A	3.6 A	3.4 A	3.4 A		A
Pole	2 P						
Starting Method	Direct						
Insulation Class	B (F)						

Kennlinien



Pumpen **Lechner**

Pumpen und Anlagenbau

Pumpen Lechner GmbH
Grabenstrasse 18
8865 Bilten

Telefon: +41 55 619 20 00
Fax: +41 55 619 20 01
info@pumpenlechner.ch
www.pumpenlechner.ch